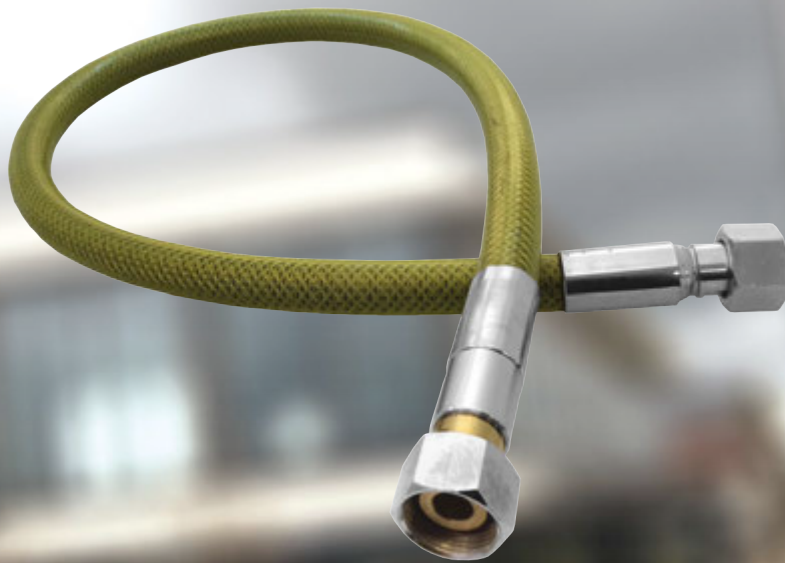


## **FLEXIBLE GAS CONNECTION HOSES**

 **FLEXIBLE GAS CONNECTION HOSES**  **SUPERIOR IN PRICE & QUALITY**



**PRODUCT CATALOGUE**

**Flexible gas connection hoses**



**Universal flexible rubber gas connection hose set**  
2 x cap nuts M24



**Universal flexible stainless steel gas connection hose set**  
2 x cap nuts M24



**Universal flexible superior gas connection hose**  
2 x cap nut M24

## INTRODUCTION

BONFIX B.V. supplies a range of flexible gas connection hoses under the BONFIX brand name.

## TECHNICAL INFORMATION

The technical specifications are based on the current status. BONFIX B.V. reserves the right to modify technical specifications without prior notice. No rights can be derived from the technical information set out in this brochure.

## GENERAL

The BONFIX flexible gas connection hoses are designed and manufactured for the connection of gas appliances in combination with gas shut-off valves.

## APPLICATION

- The BONFIX flexible gas connection hose is suitable for use in all gas installations designed to function under a maximum operating pressure of 200 mbar within the temperature range of -5 °C to +60 °C as per the specifications for natural gas installations contained in NEN 1078.
- The BONFIX flexible gas connection hose is an effective industry-compliant solution for the flexible connection of (portable) gas-fired appliances such as cookers ≤ 14 kW, free-standing ovens, cooktops or stoves, built-in ovens and built-in stoves, washers, dryers, gas-fired radiators, gas heaters and open-air portable gas appliances.

## TECHNICAL SPECIFICATIONS

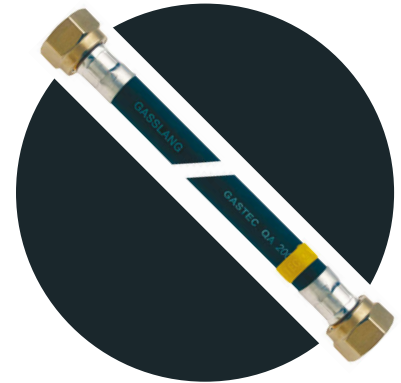
The BONFIX flexible gas connection hose is provided with the industry-required M24 cap nut with integrated sealing ring and available in various lengths.


## QUALITY MARK

The BONFIX flexible gas connection hose bears the GASTEC QA quality mark and is certified to test specification KE 34.

## INSTALLATION INSTRUCTIONS

Under the Consumer Goods Act, gas connecting hoses are required to show a production date. There are no legal requirements for their lifespan or replacement. The user is responsible for the gas installation. Regular inspections of the gas installation will determine the necessity of replacing a damaged or cracked hose. The ambient conditions of the installation determine the product's lifespan. In optimal conditions, a lifespan of more than 10 years is not exceptional.



 Use appropriate tools for installation to prevent damage.

### WARRANTY AND LIABILITY

Warranty and liability apply as per our general terms and conditions.  
Damage cause by stress corrosion is not covered under product warranty.

**ATTENTION**

Read these assembly instructions carefully before installing or maintaining a flexible stainless steel gas connecting hose. Retain these instructions for future reference.

Before commencing the installation work, assure yourself that the chosen installation site is in accordance with applicable installation requirements, worksheets and safety standards.

Consult a qualified fitter if you are not fully confident about installing a flexible stainless steel gas connection.

**GENERAL**

The flexible stainless steel gas connecting hose is an excellent solution for connecting permanently installed gas-fired appliances in conformity with industry requirements.

The flexible stainless steel connection consists of a corrugated stainless steel (AISI 316L) hose with welded (T.I.G) stainless steel (AISI 304) couplings, stainless steel (AISI 304) M24 x 1.5 cap nuts and is provided with a yellow PE protective sleeve.

The stainless steel gas connection hose can be installed directly on any gas-fired appliance.

The product is easy and quick to install and guarantees an optimal, safe and flexible connection.

**PRODUCT USAGE**

All gas-fired appliances installed in a permanent position.

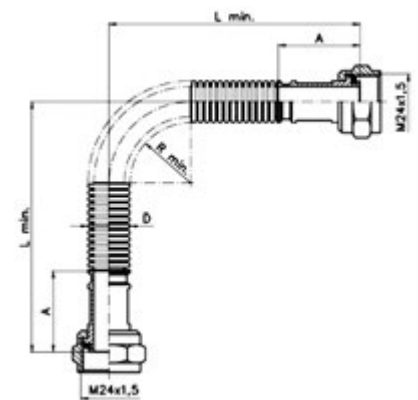
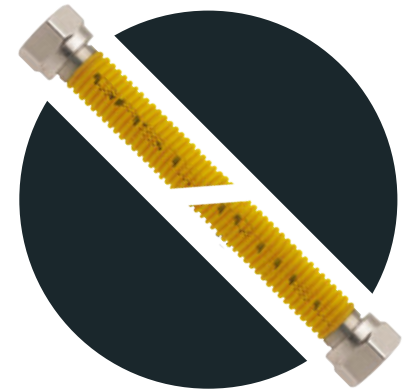
Examples: built-in cooker, built-in oven, built-in stove, permanently installed gas-fired washer or dryer, instant-gas hot water system, permanently installed hot water storage installation, permanently installed gas-fired radiation appliance, gas heater, central heating appliance, air heater, cooking appliances > 14 kW, industrial appliances.

**ADVANTAGES**

No periodic replacement required, direct connection to gas appliance, easy and quick to install, resistant to high temperatures, long life, and exceptional flexibility thanks to compact bending radius.

**STORAGE**

Store the gas connection hose in the original packaging, protected from dust, dirt and moisture.



DN	D	A	R <sub>min</sub>	L <sub>min</sub>
[mm]	[mm]	[mm]	[mm]	[mm]
13	19	30	13	50

## INSTALLATION INSTRUCTIONS

- Do not remove the packaging until commencing the installation work.
- Shut off the gas supply valve before starting any work.
- Follow the instruction regulations for natural gas connection as provided in NEN 1078.
- Install the connecting hose observing the maximum tolerated bend radius Rmin (see table)
- Prevent all forms of damage to the flexible hose during installation
- Do not use any assembly tools on the corrugated section and do not apply any friction on the corrugated section
- Every flexible stainless steel gas hose has been factory-tested for gas-tight sealing. Verify that the installation is sealed gas-tight in conformity with applicable regulations/ Worksheets. Remove the foam immediately after testing for any leaks and thoroughly clean the gas connecting hose.

 **IMPORTANT: A GAS CONNECTION HOSE EXCEEDING A LENGTH OF ONE (1) METER CAN ONLY BE USED FOR DECORATIVE GAS APPLIANCES.**

## QUALITY MARK

The flexible stainless steel connection bears a GASTEC QA quality mark.

## MAINTENANCE

The stainless steel gas connection hose is maintenance-free.


## WARRANTY AND LIABILITY

We guarantee the perfect quality of the product and the manufacturing materials used. If, notwithstanding, a material and/or manufacturing fault should be established, please return the gas connection hose, accompanied by a copy of the purchase invoice and a description of the complaint. Claims must be received within 8 days from date of purchase.

Since the quality of the installation of the stainless steel gas connection hose is impacted by several factors which are beyond our influence, we don't accept liability other than the replacement of a faulty product. This is especially relevant with respect to consequential damage and capital loss resulting from an incorrect installation. Please refer to our general terms and conditions.

## INFORMATION

For more information visit our website at [www.bonfix.eu](http://www.bonfix.eu)

 *Use appropriate tools for installation and prevent damage.*

### WARRANTY AND LIABILITY

*We guarantee the perfect quality of the product and the manufacturing materials used. If, notwithstanding, a material and/or manufacturing fault should be established, please return the gas connection hose with a copy of the purchase invoice and description of the complaint. Claims must be received within 8 days from date of purchase.*

### **ATTENTION**

Read these assembly instructions carefully before installing or maintaining a flexible stainless steel gas connecting hose. Retain these instructions for future reference.

Before commencing the installation work, assure yourself that the chosen installation site is in accordance with applicable installation requirements, worksheets and safety standard.

Consult a qualified fitter if you are not fully confident about installing a flexible stainless steel gas connection.



### **GENERAL**

The flexible gas connection hose is the perfect solution for installing gas-fired systems to fixed, portable or mobile appliances.

The gas connection hose can be directly installed on any gas-fired appliance.

This product is quick and easy to install and guarantees an optimal, safe and flexible connection.

### **PRODUCT USAGE**

All gas-fired appliances and systems, fixed, portable or mobile.

Examples: built-in cooker, built-in oven, built-in stove, gas-fired washer or dryer, instant gas hot water system, hot water storage system, gas-fired radiator, terrace heating, gas fireplace, gas hearths, central heating appliance, air heater, furnaces > 14 kW, industrial appliances, barbecue, grills, oriental frying pan (wok).

### **ADVANTAGES**

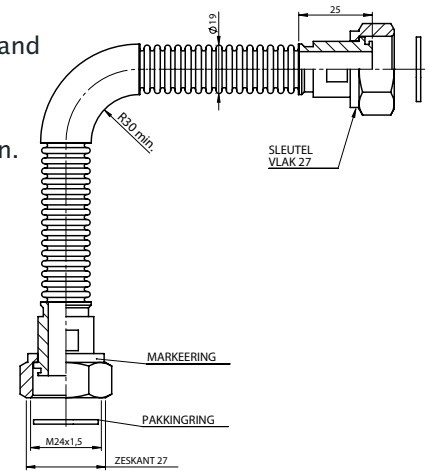
- No periodic replacement necessary (0% ageing) as hose does not dry out
- Resistant to UV radiation, vegetable oils and fats
- Directly installed on gas appliance
- Quick and easy installation
- Resistance to high temperatures
- Unlimited lifespan
- Exceptional flexibility thanks to compact bend radius
- Highly flexible and easy to clean.

### **STORAGE**

Store the gas connection hose in the original packaging, protected from dust, dirt and moisture.

### INSTALLATION INSTRUCTIONS

- Install the gas hose in accordance with prevailing local and national regulations and application provisions.
- Follow the installation instructions of BONFIX and the manufacturer of the appliance, including instructions for positioning and connection point orientation.
- Use appropriate tools.
- Do not remove the packaging before commencing installation.
- Shut the gas supply valve before commencing installation.
- Install the gas connection hose at a radius of  $> 30$  (see figure).
- Avoid any action that may damage the hose during installation.
- Make sure that the gas connection hose does not rotate during installation.
- Assure yourself that there are no sharp bends in the gas hose.
- Check that the fittings are sufficiently tight and secure.
- Check that the gas connections of the installation are leak-proof using a leak detecting aid.
- Assure that the installation allows a sufficient flow rate for its intended use.
- Do not connect two or more hoses to achieve the required length.
- Do not install this hose when in doubt as to connecting to the fittings, the appliance, or the gas supply line.
- Do not use an adapter to accomplish a connection with the fittings.
- Do not install this gas connection hose in a wall, floor or ceiling.
- Do not install this gas connection hose on a gas pressure regulator.



### QUALITY MARK

The gas connection hose bears a GASTEC QA quality mark.

### MAINTENANCE AND INSPECTION

- Replace sealing rings when damaged.
- If visibly damaged the gas connection hose must be replaced. If modified, the gas connection will no longer comply with the European industry norm.
- Follow the installation instructions of BONFIX and the manufacturer of the appliance, including instructions for positioning the appliance and orientation of the connection point.
- Only use BONFIX rubber rings when replacing the rubber ring.


### **WARRANTY AND LIABILITY**

We guarantee the perfect quality of the product and the manufacturing materials used. If, notwithstanding, a material and/or manufacturing fault should be established, please return the gas connection hose, accompanied by a copy of the purchase invoice and a description of the complaint. Claims must be received within 8 days from date of purchase.

Since the quality of the installation of the gas connection hose is impacted by several factors which are beyond our influence, we are unable to accept liability besides the replacement of a faulty product. This is especially applicable with respect to consequential damage and capital loss resulting from an incorrect installation. Please refer to our general terms and conditions.

### **INFORMATION**

For more information visit our website at [www.bonfix.eu](http://www.bonfix.eu)

 *Use appropriate tools for installation and prevent damage.*

#### **WARRANTY AND LIABILITY**

*Warranty and liability apply as per our general terms and conditions.*

*Damage caused by stress corrosion is not covered under product warranty.*